



# SCHAEFF

A **YANMAR** BRAND

# MINI EXCAVATOR



## Specifications

Operating weight	1035 kg
Engine power	7.7 kW (10.5 hp)
Bucket capacity	10 - 80 l
Dig depth	1.50 m
Reach	2.73 m

## Features

- ▶ Short-tail version
- ▶ Telescopic undercarriage (680-840 mm)
- ▶ Simple folding extendable blade for dozer applications
- ▶ ROPS protection bar w/ 2 vertical support members, foldable rearwards, allowing the machine to travel under low overhead heights
- ▶ Boom adjustable by 45° to the left, 85° to the right, enables excavation directly in front of walls
- ▶ Wide range of proven work attachments

# TCO8

# SPECIFICATIONS

# TC08

## ENGINE

Manufacturer, model	Yanmar, 2TE67L-BV3
Type	2-cylinder diesel engine, fully compliant with 97/68/EC and Stage II emissions regulations of the US Environmental Protection Agency (EPA).
Combustion	4-stroke, swirl chamber injection
Displacement	507 cm <sup>3</sup>
Power rating acc. to DIN 6270B at 2000 min <sup>-1</sup>	7.7 kW (10.5 hp)
Torque max. @ 2000 rpm	31.5 Nm
Cooling system	Water

## ELECTRICAL SYSTEM

Operating voltage	12 V
-------------------	------

## TRANSMISSION

Hydrostatic travel drive, fully enclosed.	
Travel speed, forward and reverse	0-1.8 km/h
Gradeability	30 deg. max

## UNDERCARRIAGE

Maintenance-free crawler-type undercarriage. Hydraulically retractable/extendable undercarriage provided as standard.	
Width (outside edge of crawler chains)	680 - 840 mm
Width rubber tracks	180 mm
Total length (undercarriage)	1220 mm

## DOZER BLADE

Independent of drive train, sensitive control via separate hand lever. Cylinder protection as standard. Retractable/extendable.	
Width x height	680 - 840 x 180 mm
Dozer cut below ground	210 mm
Dozer lift above ground	180 mm

## STEERING

Independent, individual control of crawler chains, also counterwise. Sensitive control via hand levers, Pedal console serving as foot rest.

## SWING SYSTEM

Hydrostatic drive, also acts as wear-resistant brake. Internally toothed ring gear.	
Swing speed	0-8.4 rpm

## KNICKMATIK®

Lateral parallel adjustment of boom arrangement at full dig depth.	
Angle of articulation / lateral adjustment left	45 deg. / 540 mm
Angle of articulation / lateral adjustment right	85 deg. / 330 mm

## FLUID CAPACITIES

Fuel tank	10 l
Hydraulic system	10.7 l
Cooling system	2.0 l



## OPERATING DATA, STANDARD EQUIPMENT

Transport weight (with 2 support members, foldable)	960 kg
Operating weight (with 2 support members, foldable) acc. to ISO 6016	1035 kg
Total length (travel position)	2030 mm
Total length (trailer transport position)	2600 mm
Total height (travel position)	2200 mm
Total height (trailer transport position)	1550 mm
Total width	680 / 840 mm
Uppercarriage tailswing	725 mm
Uppercarriage frontswing	980 mm
Working envelope 180° / 360°	1705 / 1960 mm
Rear overhang	305 mm
Ground clearance	130 mm
Bucket digging force (ISO 6015)	9 955 N
Stick digging force (ISO 6015)	5 885 N
Ground pressure (rubber crawlers)	0.28 daN/cm <sup>2</sup>

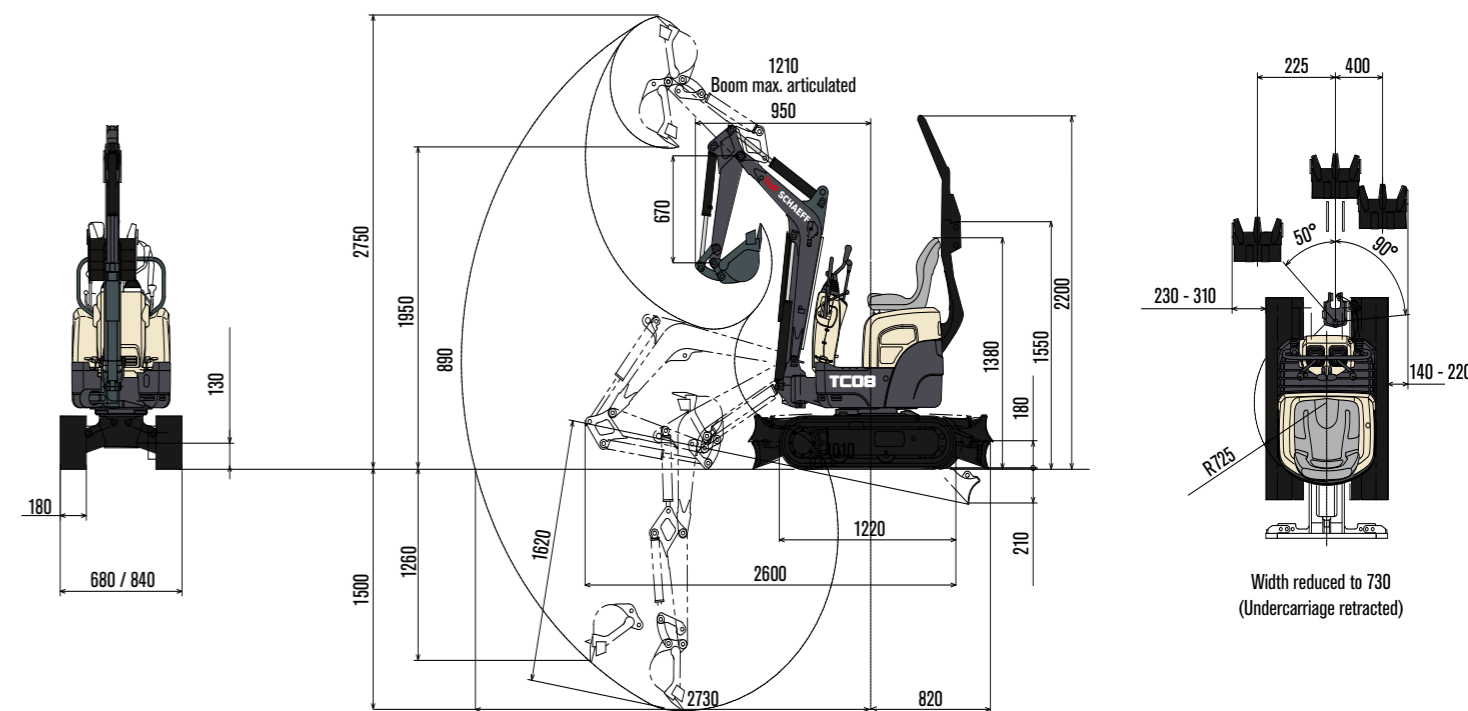
## HYDRAULIC SYSTEM

Pump capacity	2 x 9.8 l/min
Working pressure	185 bar
Working hydraulics: Dual fixed displacement pump for swinging and travel drive. Simultaneous independent control of all movements.	
Control circuit for work attachments (single or dual-action):	
Pump capacity	19.5 - 17.5 l/min
Max. working pressure	185 bar

## OPERATOR'S STAND

2 vertical support members, foldable, ROPS protective frame.	
Operator's seat with artificial leather covering, seat belt.	
Instrument panel in front of the operator's seat, safety bar. Safety lever to lock the main functions of the machine.	
Separate pedals for the 3 <sup>rd</sup> circuit (PTO) and boom swing: possibility of combined movements.	
Working floodlight mounted on the boom.	
Noise emission cab L <sub>pa</sub>	91 dB (A)
Measured in dynamic measuring cycle acc. to EC Directive 2000/14/EC & 2005/88/EG.	

## WORKING RANGES & DIMENSIONS: MONOBLOC BOOM



Dimensions given in mm with standard SCHAEFF bucket

Standard dipperstick 670 mm

## LIFTING CAPACITIES

Dipperstick 670 mm		Load radius from centre of ring gear															
		Min				1.5 m				2.0 m				Max			
		UR	UE	UR	UE	UR	UE	UR	UE	UR	UE	UR	UE	UR	UE	UR	UE
2.0 m		-	-	-	-	-	-	-	-	-	-	-	-	220*	220*	120	160
		-	-	-	-	-	-	-	-	-	-	-	-	190	190	120	160
1.5 m		-	-	-	-	270*	270*	160	220	220*	220*	100	140	220*	220*	90	120
		-	-	-	-	240*	240*	160	200	190	190	100	140	150	150	90	130
1.0 m		490*	490*	200	270	350*	350*	160	200	260*	260*	100	150	230*	230*	80	110
		340	340	190	280	250	250	150	210	170	170	100	140	130	130	80	110
-0.5 m		590*	590*	180	240	470*	470*	150	200	300*	300*	100	130	240*	240*	80	110
		310	310	170	230	250	250	140	200	170	170	100	170	130	130	70	110
0.0 m		630*	630*	180	250	480*	480*	160	200	320*	320*	100	130	240*	240*	80	110
		310	310	160	240	230	230	140	190	170	170	90	140	120	120	80	110
-0.5 m		-	-	-	-	430*	430*	140	200	380*	380*	100	130	260*	260*	100	130
		-	-	-	-	250	250	140	200	170	170	90	130	160	160	90	130
-1.0 m		-	-	-	-	-	-	-	-	-	-	-	-	230*	230*	170	230*
		-	-	-	-	-	-	-	-	-	-	-	-	230*	230*	150	210*

The data contained in this table represent the lifting capacity in accordance with ISO standard 10567. They correspond to 75% of the maximum static tipping load or 87% of the hydraulic lifting power. All values were determined with the bucket mounted. Datas marked \* are the hydraulic limits of the lifting power.

Working equipment: Rubber crawlers. Bucket 330 mm wide (16.5 kg).

Abbreviations: UR = Undercarriage retracted, UE = Undercarriage extended

Tipping load, rating over front

Tipping load, rating over side 90°

## WORK ATTACHMENTS

### BUCKETS

Bucket, QAS	200 mm wide, capacity 10 l
Tieföffel, Direktanbau	200 mm wide, capacity 10 l
Bucket, QAS	260 mm wide, capacity 15 l
Tieföffel, Direktanbau	260 mm wide, capacity 15 l
Bucket, QAS	300 mm wide, capacity 18 l
Tieföffel, Direktanbau	300 mm wide, capacity 18 l
Bucket, QAS	350 mm wide, capacity 21 l
Tieföffel, Direktanbau	350 mm wide, capacity 21 l
Bucket, QAS	400 mm wide, capacity 25 l
Tieföffel, Direktanbau	400 mm wide, capacity 25 l
Bucket, QAS	500 mm wide, capacity 32 l
Tieföffel, Direktanbau	500 mm wide, capacity 32 l
Ditch-cleaning bucket, QAS	700 mm wide, capacity 26 l
Grabenräumlöffel, Direktanbau	700 mm wide, capacity 26 l
Ditch-cleaning bucket, QAS	800 mm wide, capacity 30 l
Swing bucket, QAS	1000 mm wide, capacity 70 l
Trapezoidal bucket	200 mm wide, capacity 80 l

### OTHER WORK ATTACHMENTS

Hydraulic hammer	Further work attachments available on request
------------------	---

## OPTIONAL EQUIPMENT

### OPERATOR'S STAND

Trackunit ME401 with GPS anti-theft device. With Dallas key (without subscription)

### HYDRAULIC SYSTEM

Push Pull - Flat face - Hydr. connectors, specially for breaker fitting (to order only with hammer) Add. control circuit

### OTHER OPTIONAL EQUIPMENT

Mechanical quick-attach system (QAS) Special paint

Further optional equipment available on request



Yanmar Compact Germany GmbH  
Kraftwerkstrasse 4  
74564 Crailsheim, Deutschland

[www.schaeff-yanmar.com](http://www.schaeff-yanmar.com)